

i-Lite®

Lighter Solution

~ For your Lean manufacturing Concepts



Characteristic

LIGHTWEIGHT with toughness capability.

i-Lite is lighter than existing coated iron pipes, stainless pipes and any other complex pipes without compromising durability and toughness of the load and stress capability.

CLEAN with AESTHETIC appearance.

i-Lite is made of high quality extruded aluminium with anodize treatment to provide excellent cleanliness appearance and no corrosion.

Well treated surface to prevent any stain and dust generated on the surface

3 “R” Concept.

i-Lite aluminium material is recyclable. Easily to be sorted out, removed for reusable and disposed with resalable value for money.

FLEXIBILITY, Simplicity and Multi-functionality.

i-Lite is easily assembled or disassembled with i-lite multi-functional connector that tighten or loosen on a single bolt.

It provide the flexibility to use existing i-logic metal Joints and accessories.

Promptly make you carry out your idea with the flexibility and possibility!

HIGH specification in demand.

- i-Lite is CONDUCTIVE with surface resistance of $10^3 \sim 10^6$
- i-Lite is Solvent and Chemical resistance
- i-Lite is RoHS compliance
- i-Lite can be treated with different Anodizing colour to meet customer request.
- i-Lite can meet Cleanroom environment & Food Processing environment

Lite Pipe

i-Lite® Pipe-A	
PRODUCT CODE	LP-A013AL
SPEC	ø28 - 4000

Length : 4000.mm

Lite Joint



LJ-1

PRODUCT CODE		QTY
L-1		2.Pcs
Bolt & Nut		1.Set



LJ-1i

PRODUCT CODE		QTY
L-1i		2.Pcs
Bolt & Nut		1.Set



LJ-45

PRODUCT CODE		QTY
L-45		2.Pcs
Bolt & Nut		1.Set



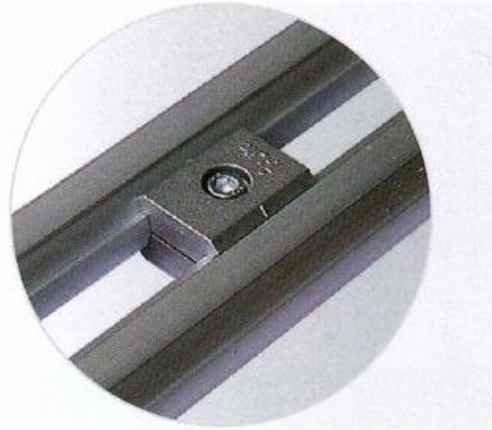
LJ-6

PRODUCT CODE		QTY
L-6		2.Pcs
Bolt & Nut		1.Set



LJ-7

PRODUCT CODE	QTY
L-7A	2.pcs
L-7B	2.Pcs
Bolt & Nut	2.Set



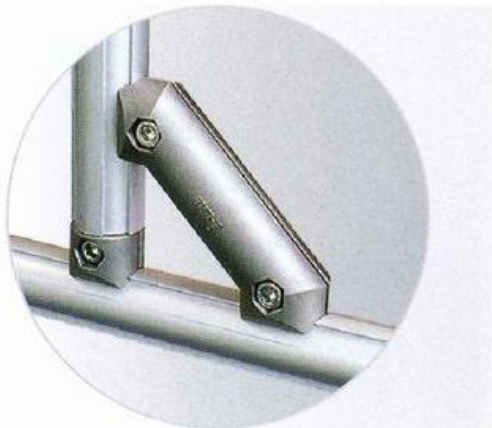
LJ-8

PRODUCT CODE	QTY
L-8	2.Pcs
Bolt & Nut	1.Set



LJ-13

PRODUCT CODE	QTY
L-13	2.Pcs
Bolt & Nut	1.Set

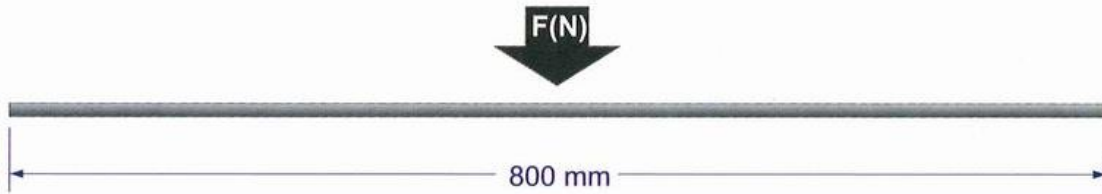


LJ-14

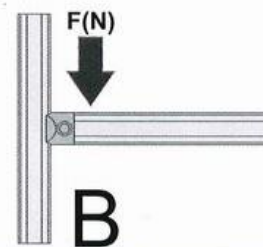
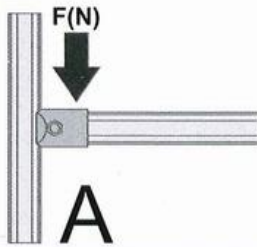
PRODUCT CODE	QTY
L-14	2.Pcs
Bolt & Nut	1.Set

Loading Test Result :

Tested by Laboratory of Metallurgy and Material Engineering Department, University of Indonesia



PART CODE	LOAD (N)	DEFLECTION (mm)	LENGTH (mm)
LP-033AL	980	12.25	800
LP-033BL	1470	23.40	800

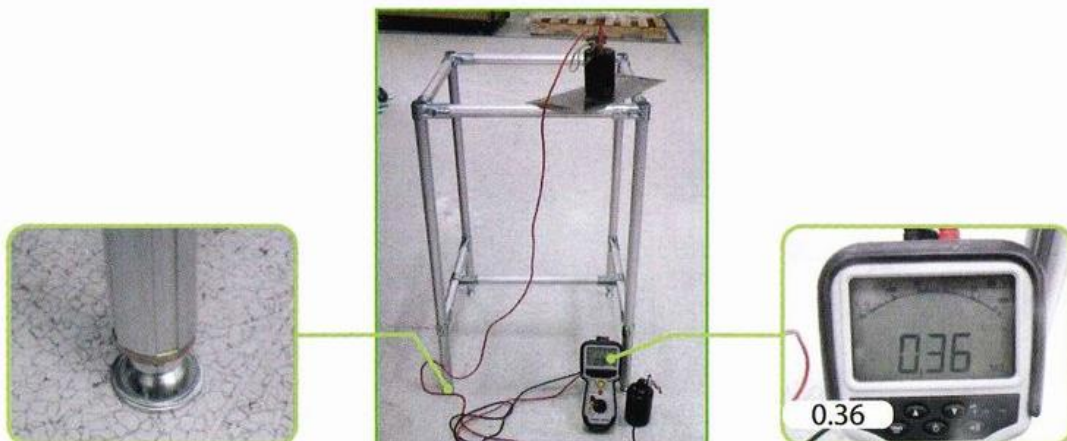


Type	PART CODE	LOAD (N)	DEFLECTION (mm)
A	LJ-1	1470	0.19
B	LJ-1i	980	0.61

ESD Test Result :

Table 1. Grounding / Equipotential Bonding Requirements

Technical Requirement	Implementing Process	Test Method	Required Limit(s)
Grounding / Bonding System	Equipment Grounding Conductor	ANSI/ESD S6.1	< 1.0 ohm impedance
	Auxiliary Ground	ANSI/ESD S6.1	< 25 ohms to the Equipment Grounding Conductor
	Equipotential Bonding	ANSI/ESD S6.1	< 1.0×10^9 Ohm



Applications



WORK TABLE



RACK FOR LINE



RACK FOR ASSEMBLING



MINI CART



MAGAZINE RACK



TROLLEY BOX



MOVING CART FOR TIRE



ASSEMBLING LINE



INFORMATION BOARD



STORAGE RACK



HANGER



WATER BOTTLE RACK

- ・製品の的外観、仕様等は予告なく変更する場合がございます。
- ・お問い合わせ先：日本スピードショア株式会社 産機営業部・本部 sankidai1@speedshore.co.jp